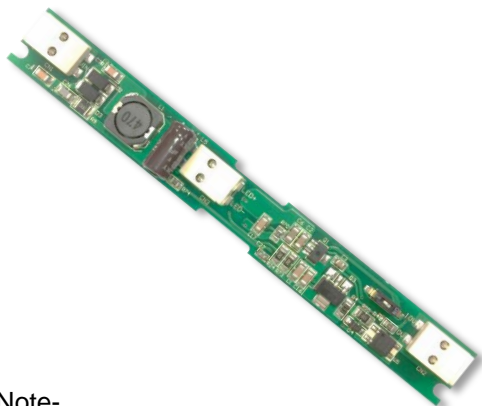


## MDR-903-500-8-OF



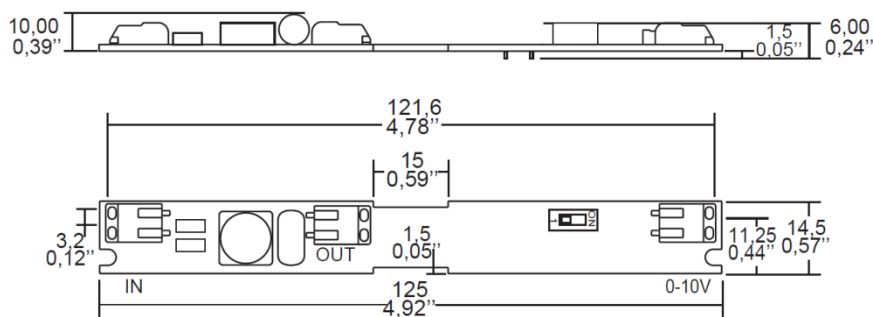
<b>Compatible Track Adapter</b>	Stucchi 9519-166-XX Stucchi 9529-166-XX
<b>Compatible track system</b>	Stucchi 9500 Multisystem
<b>LED Driver Specification</b>	10-14 VDC, 350-500 mA (DIP Switch) (See the page2)
<b>Dimming</b>	0-10V dimming, 5-100%

Note-

1. UL file: E340871

### ■ Mechanical

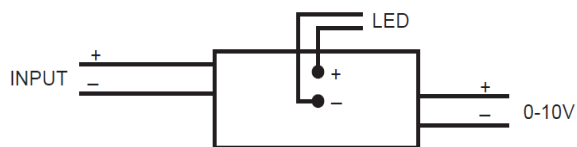
\*Dimension  
in metrics/inch



### ■ Electrical

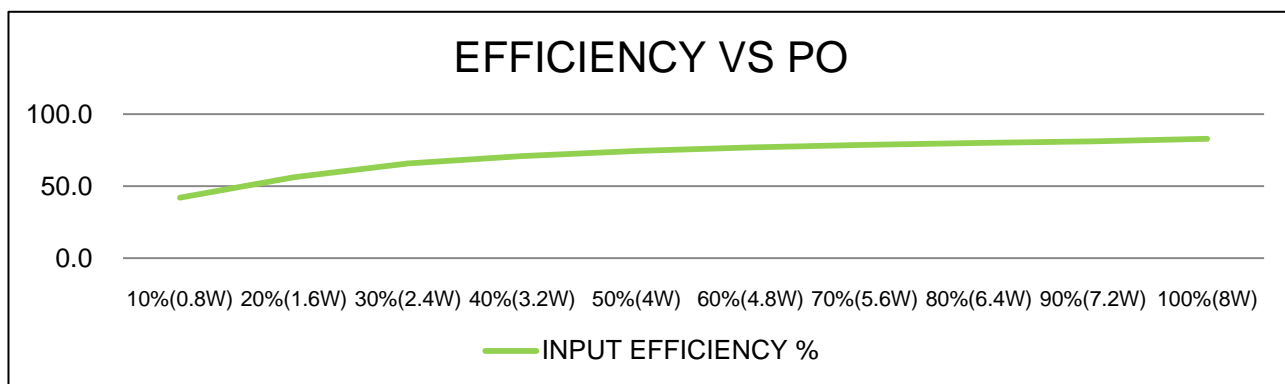
Maximum load	7 W
Minimum load	3.5 W
Input Voltage	48VDC
Output Voltage	10-14VDC
Output Current	350 / 500 mA
Efficiency	>80%
No Load loss	< 1 W
Max. Tc Temperature	80°C

### ■ Wiring Diagram

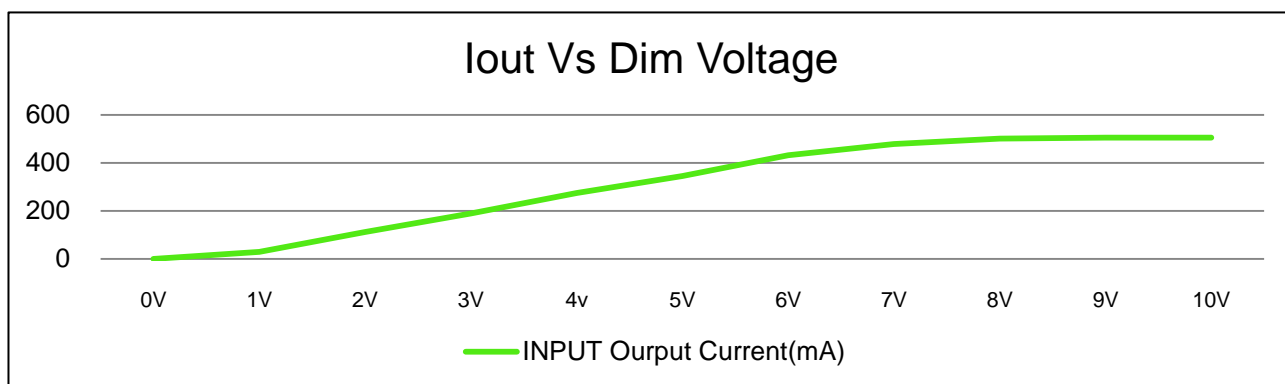


# Electrical Specifications

## Efficiency of the driver VS Power Output (W)



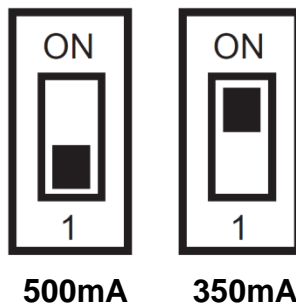
## 0-10 V Dimming



## Current Setting

LED Current Tolerance over temperature and component variations is  $350\text{mA} \pm 7\%$  /  $500\text{mA} \pm 5\%$  at any level.

The output current of the driver can be adjusted using the two dip switches provided on the top of the driver. The below pictures shows the switch positions required to set the current to different levels.



The driver will be shipped out of factory with both switches set to ON (500mA).



Macron Associate Co. – Power Supply Team

NO.352, Perng-Yi Road, Taiping, Taichung, Taiwan 411

TEL: 886-4-22708357 FAX: 886-4-22767307 Email: macron@macrongroup.com